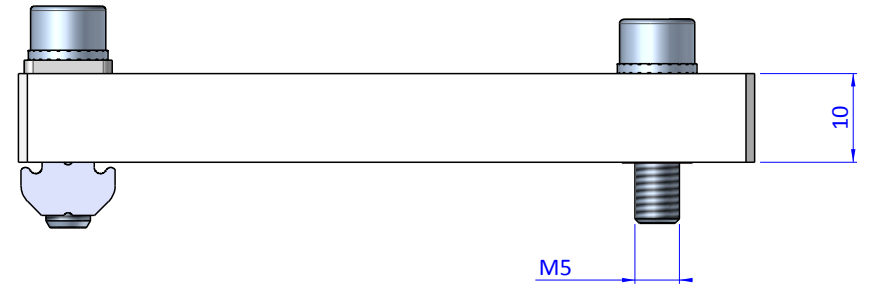
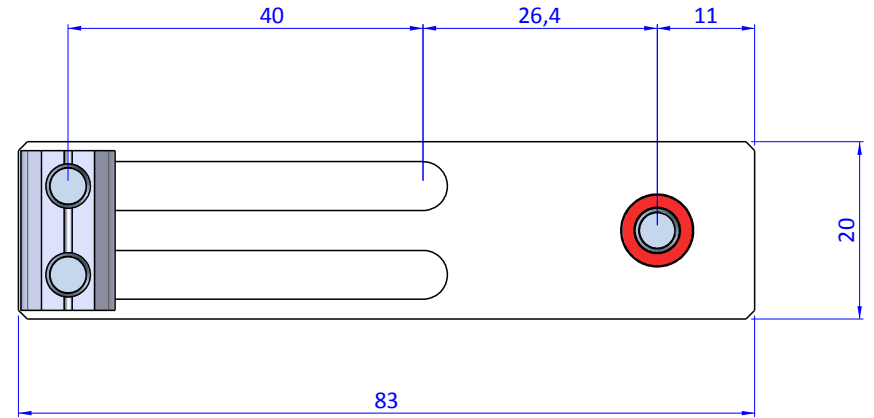
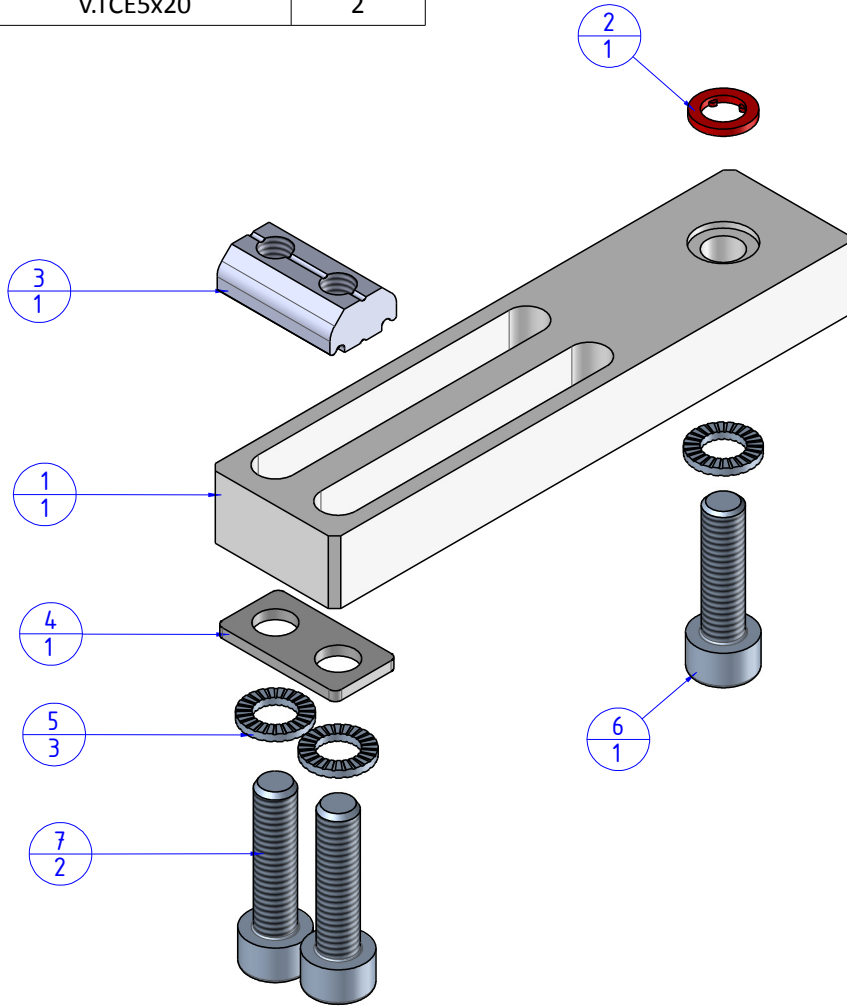



THE PROPERTY OF THE DRAWING IS ESTABLISHED BY LAW. IT IS FORBIDDEN TO PRODUCE OR SHOW IT TO THIRD PARTY, WITHOUT A WRITTEN AGREEMENT.

Item	Name	Q.ty
1	09.18.1719	1
2	CA.08.09.05	1
3	CA.GWP.5.10	1
4	R.05.10	1
5	R.5.SCH	3
6	VTCE5x18	1
7	VTCE5x20	2



Format A3

UNI 936-76

 FPS FPSERVICES AUTOMATION		DESIGNED FROM		REVIEW
		FPS Automation		A
GENERAL TOLERANCE		DATE	WEIGHT	
UNI - ISO 2768		31/05/2019	0,055kg	
CLASSE f		CODE		
		CA.09.18.1719.X		CA.09.18.1719.X